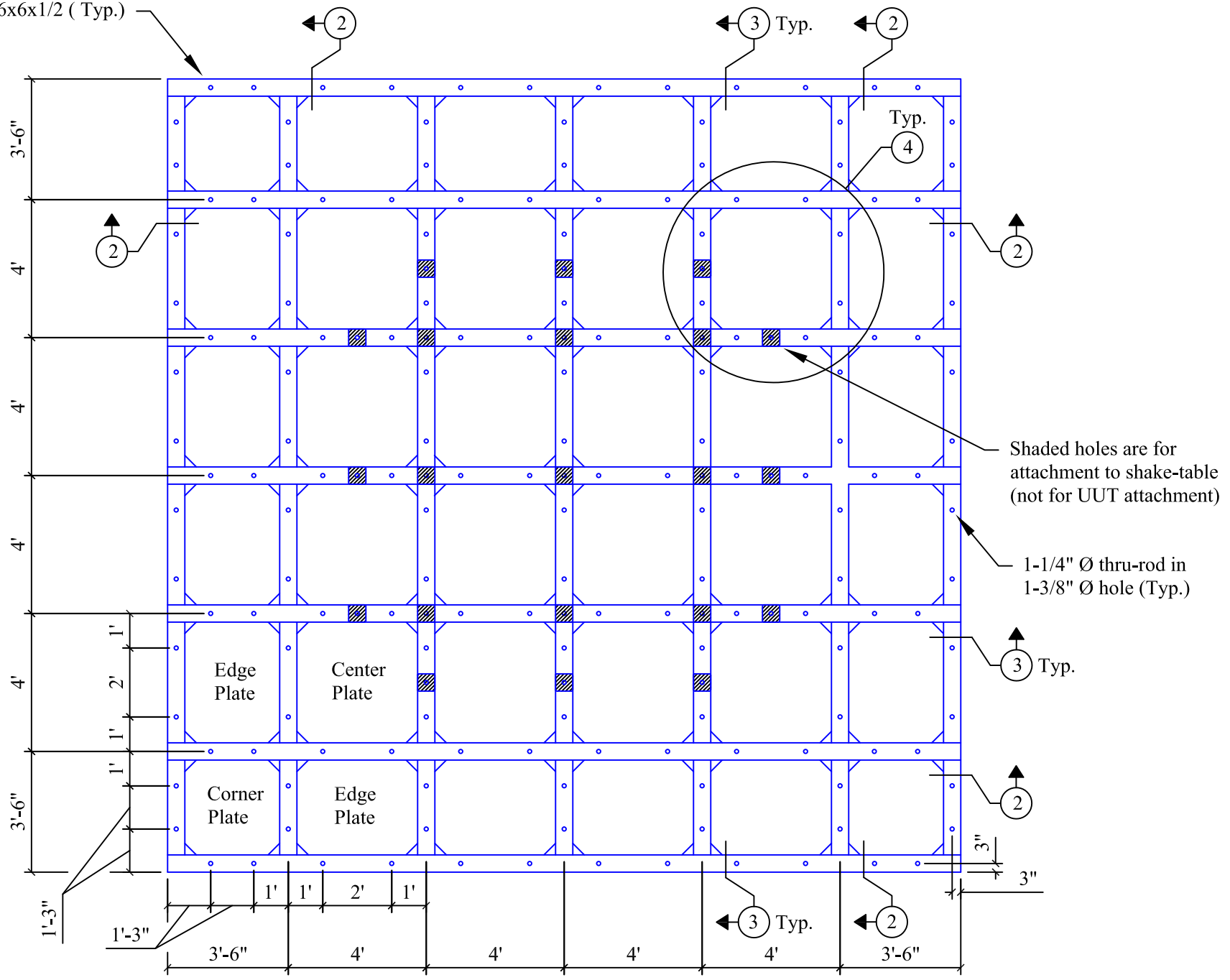
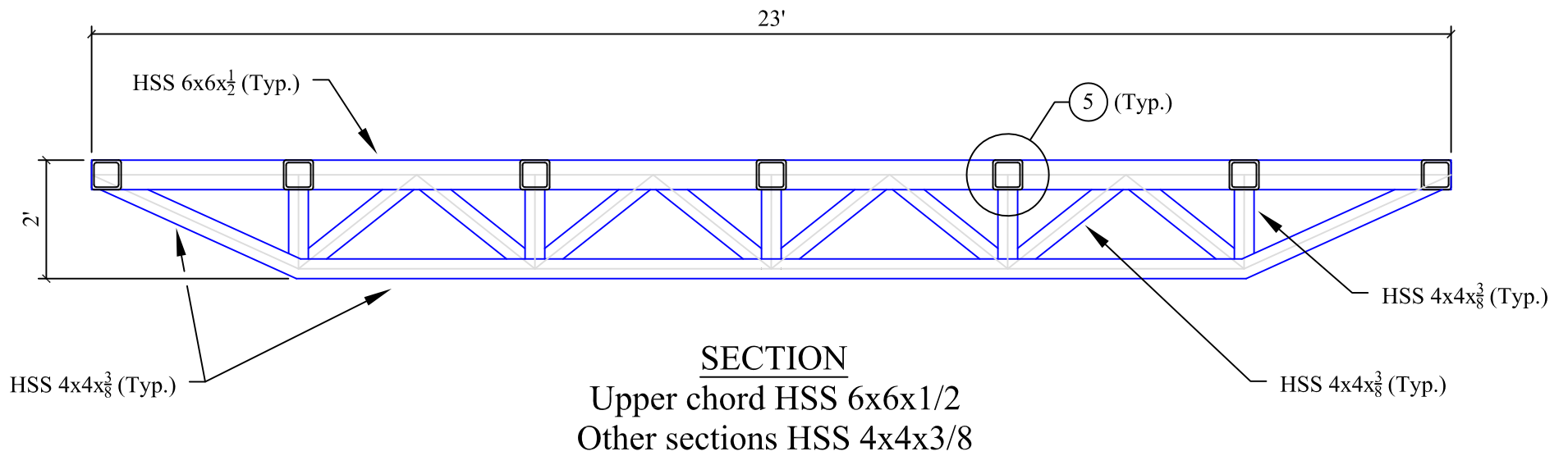
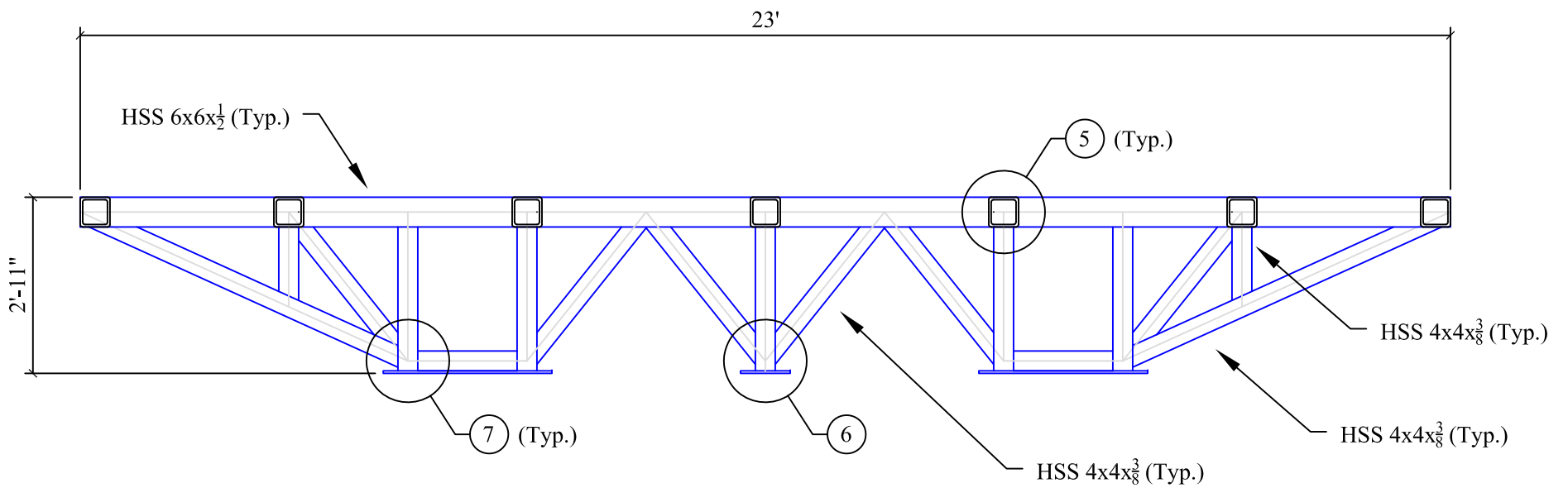


HSS 6x6x1/2 (Typ.)

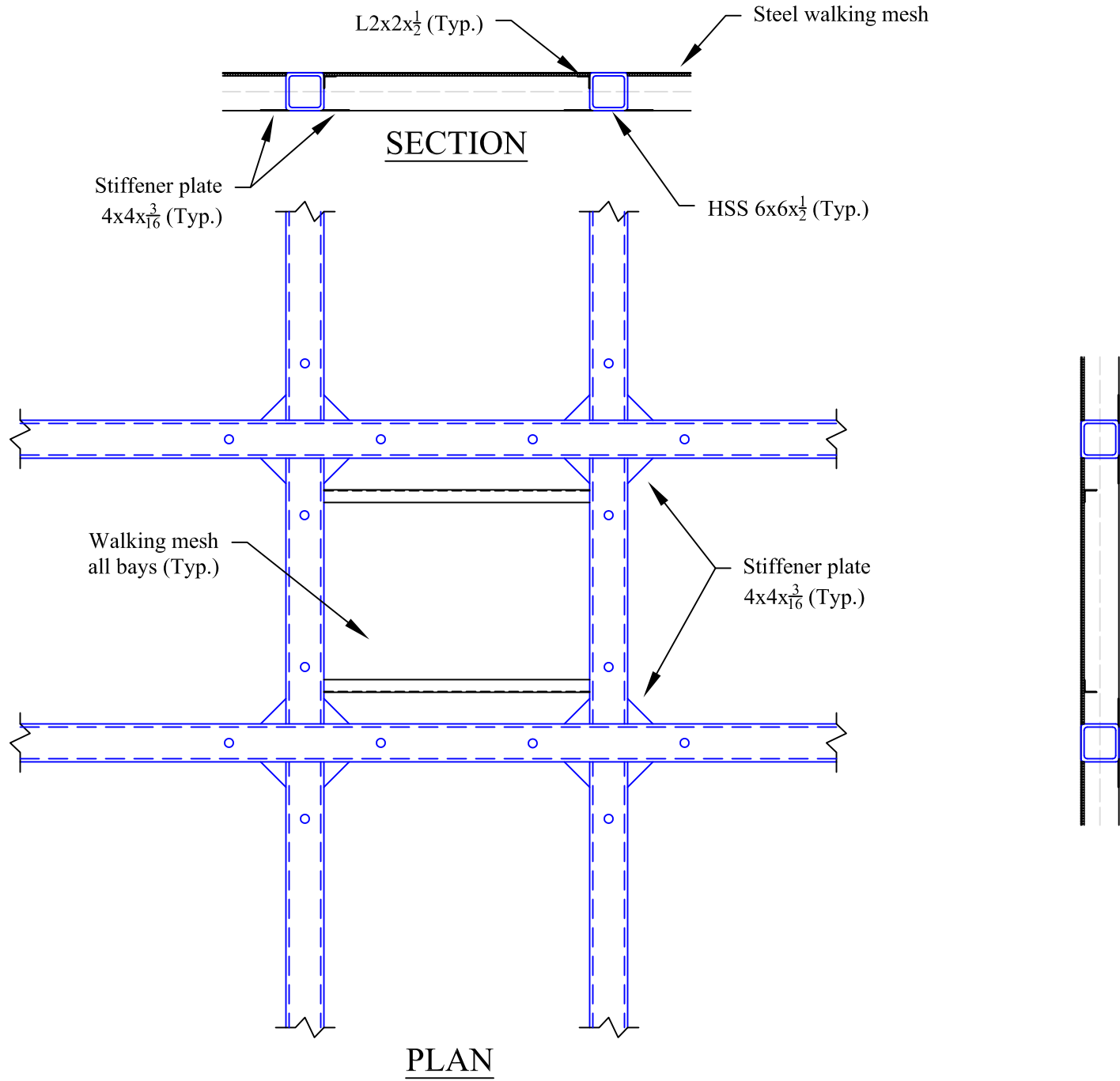


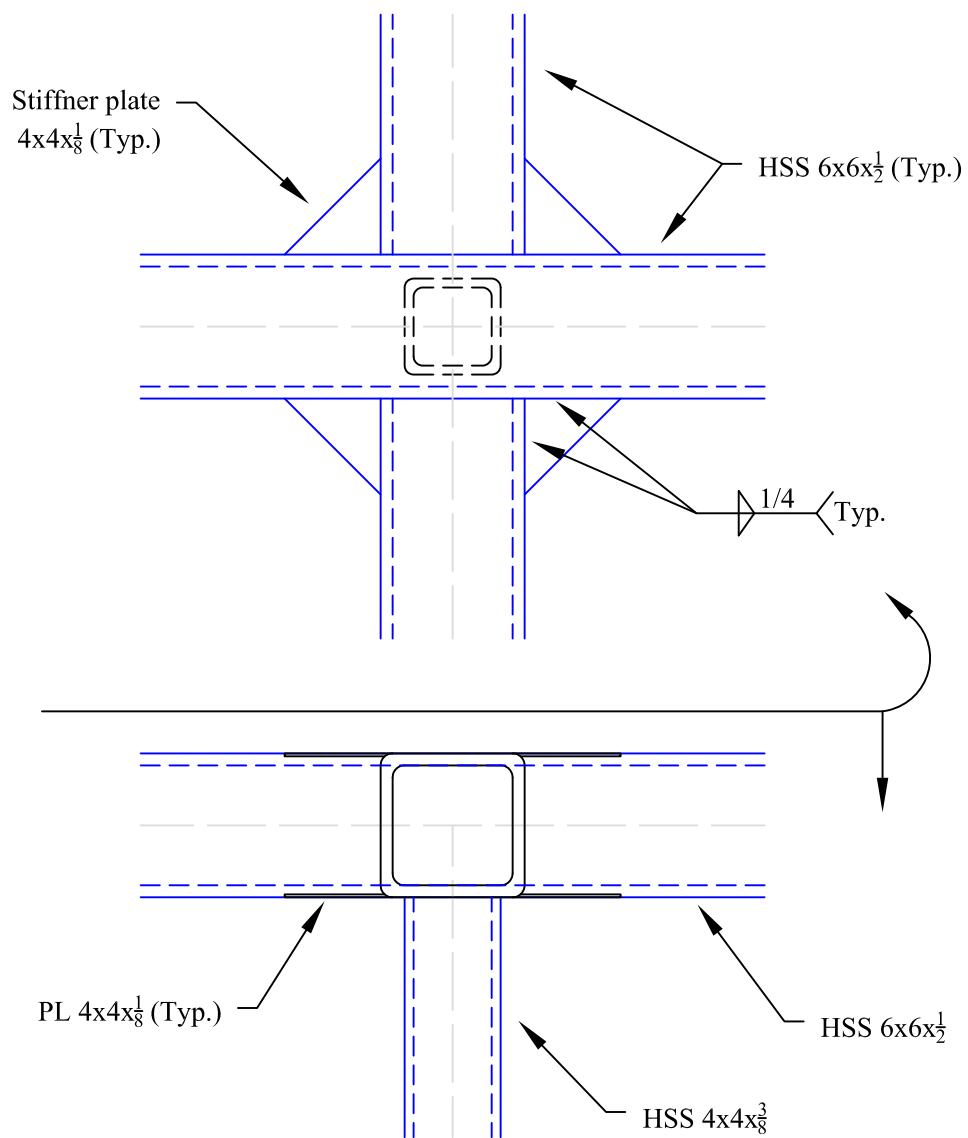
PLAN



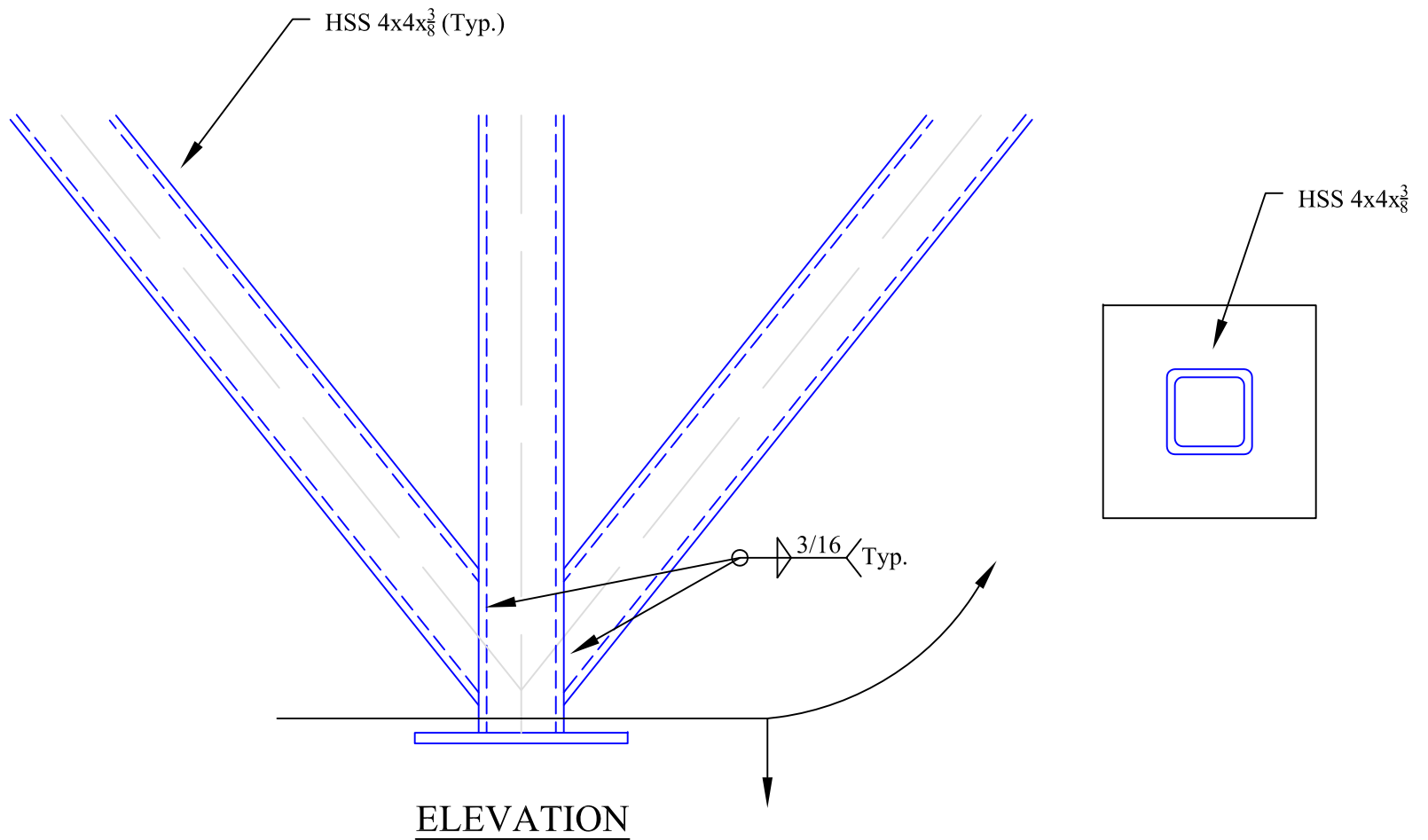


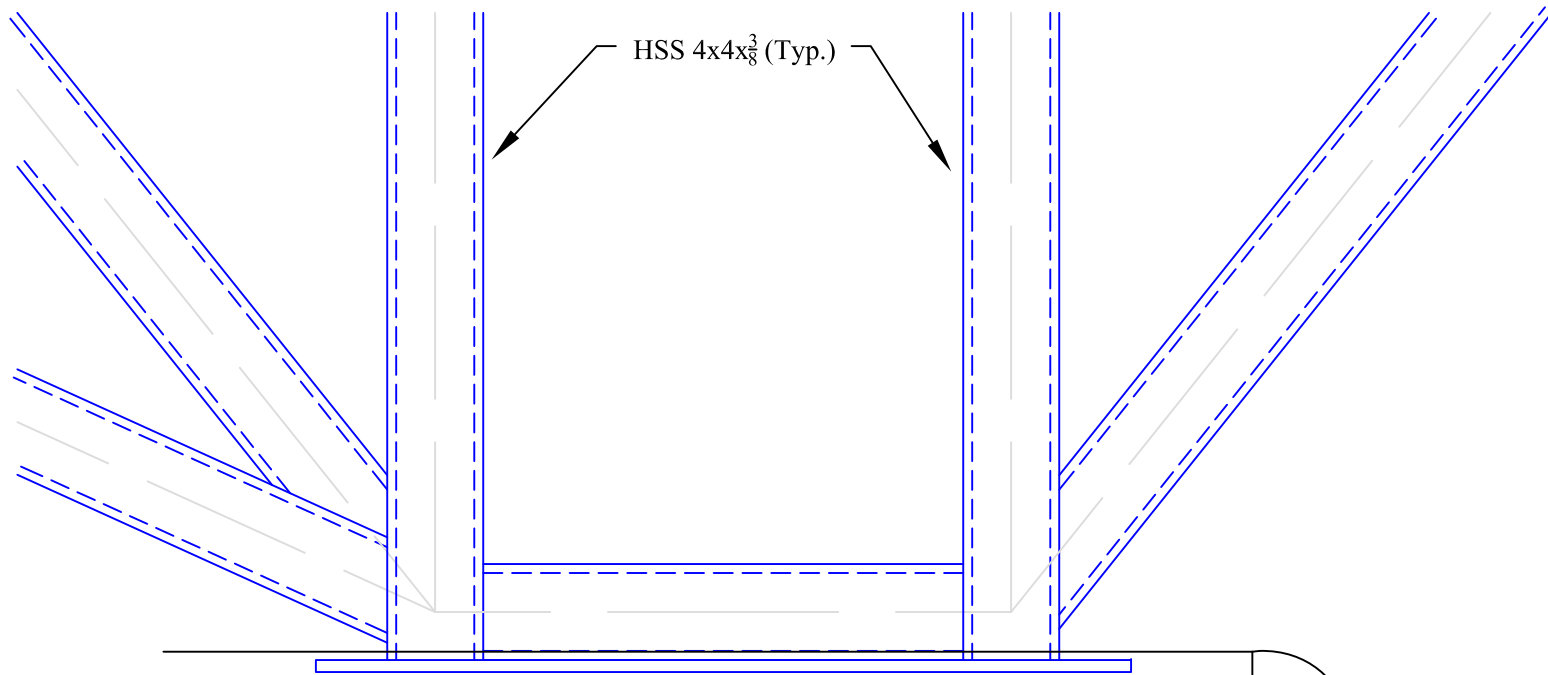
SECTION
 Upper chord HSS 6x6x1/2
 Other sections HSS 4x4x3/8



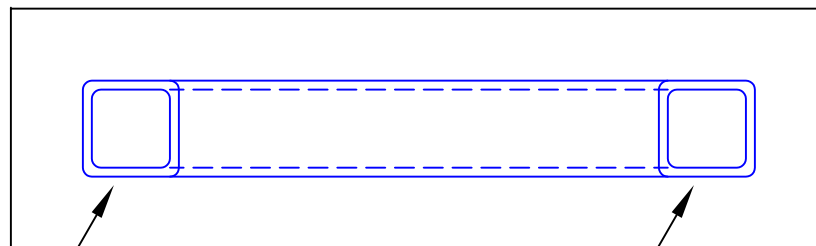


SECTION





ELEVATION



HSS 4x4x $\frac{3}{8}$

HSS 4x4x $\frac{3}{8}$