

SPECIFICATIONS

MODEL NO.	ROD DIA		AREA TENSION		AREA COMPRESSION		FORCE TENSION		FORCE COMPRESSION	
	IN	MM	IN <sup>2</sup>	CM <sup>2</sup>	IN <sup>2</sup>	CM <sup>2</sup>	KIP	KN	KIP	KN
243.80T	8.00	203.2	150.8	973.0	201.1	1297.4	450.0	2002.0	600.0	2669.0

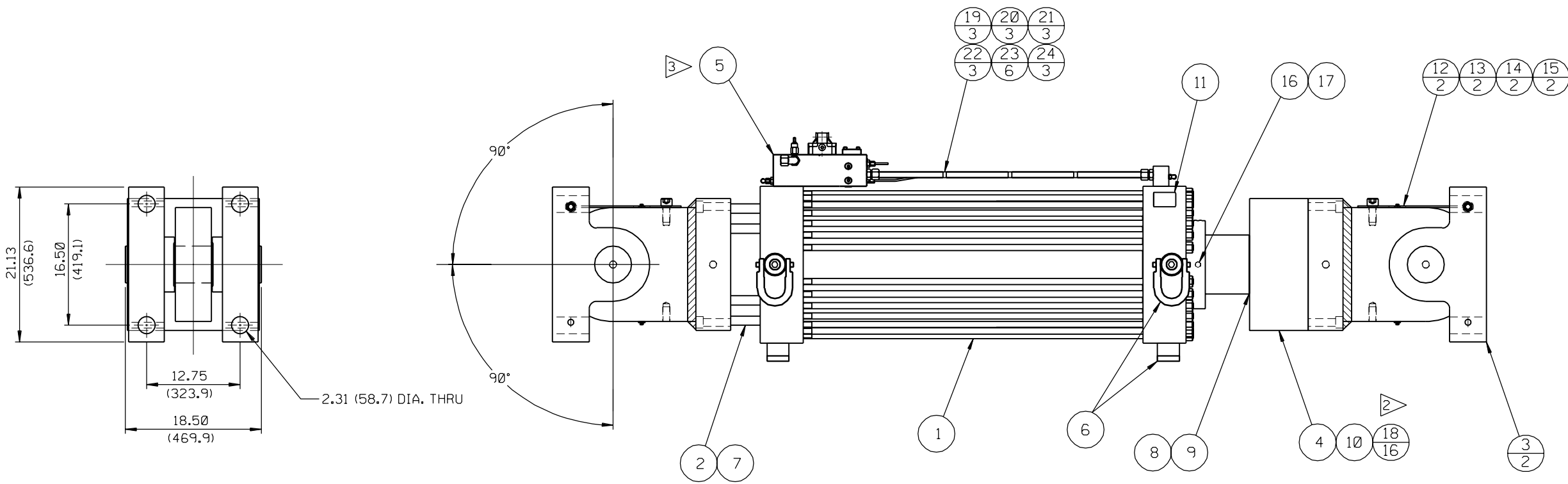
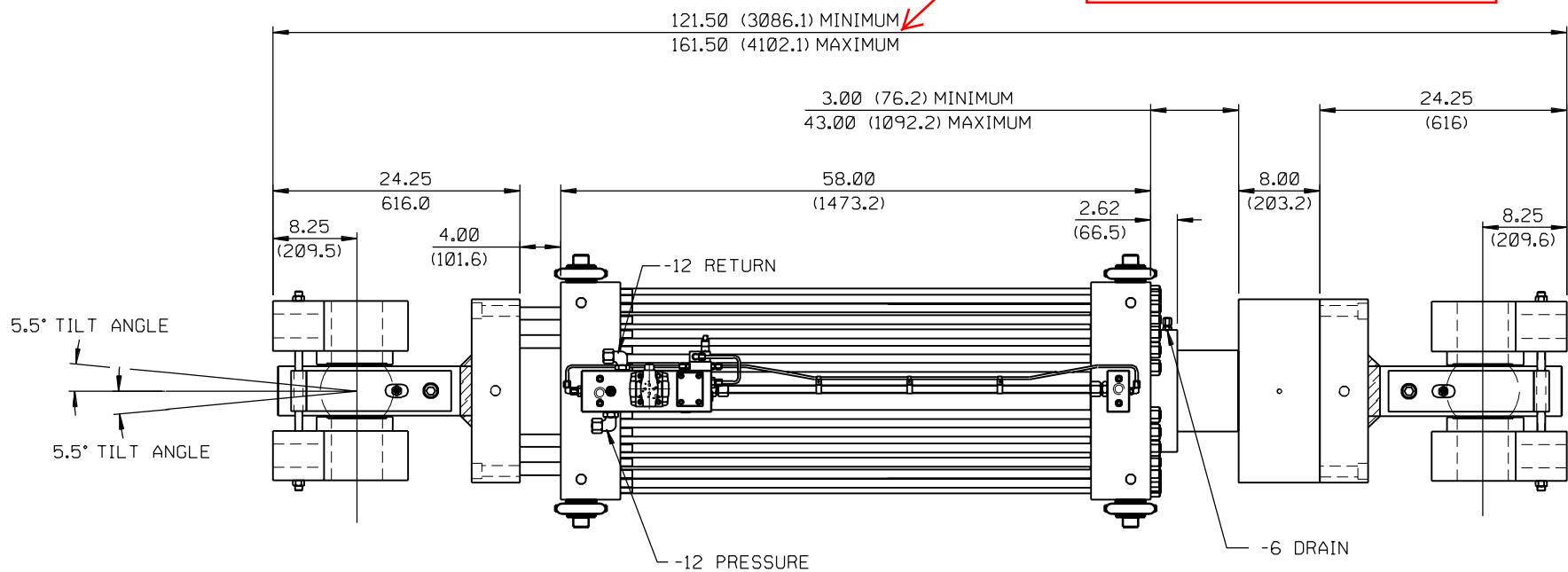
REVISIONS

DESCRIPTION			LETTER	ECN NO.
DRAWN	ENGR	DATE	B	1
UPDATED MFLD ASSY.				
ADDED ITEMS 19 THRU 24 TO BOM.				
JCG	JCG	3-6-03		

Use 141.50" as mid-stroke position. This is critical for maximizing the available stroke.

STROKE- 40.00 IN. DYNAMIC  
1016.0 MM

40.00 IN. STATIC  
1016.0 MM



PIVOT MTG PATTERN (TYPICAL BOTH ENDS)

- NOTES:
1. DIMENSIONS IN PARENTHESES ARE IN MILLIMETERS UNLESS OTHERWISE SPECIFIED.

- 2 LUBE AND TORQUE TO 680 LB-FT (920 N-M).
- 3 SET RELIEF VALVE TO 2250 PSI.

ESTIMATED DRY WEIGHT: 7625 LBF

SOURCE/REF DRAWING: 100-063-262

**PROPRIETARY DATA**  
The information and designs disclosed herein are the property of MTS Systems Corporation and may not be used, reproduced or disclosed in any form except as granted in writing by MTS Systems Corporation. This restriction excludes information that is in the public domain or was legitimately in the prior possession of the recipient.

UNLESS OTHERWISE SPECIFIED				DRAWN	CHECK	ENGR	MFG
MATERIAL DESCRIPTION	.XXX HOLE SIZE TOLERANCE	DATE	DATE	JCG	JCG	JCG	
MATERIAL SIZE	0.000 TO .750 +.010/-.002	9-20-02					
FINISH	ANGLE ±2°	TITLE					
	SCALE 1/8	ACTUATOR ASSY-243.90T, 40" STROKE, COMP. RELIEF					
• THREAD DEPTHS ARE TO MIN FULL THD	GENERAL TOLERANCES	NEXT LEVEL	SIZE	NUMBER	REV		
• DRILL DEPTHS ARE TO FULL DIA	MASK		D	100-075-429	B		
• REMOVE BURRS AND SHARP EDGES	SCALE 1/8	PRODUCT CODE					
• DO NOT SCALE PRINT	MACHINED SURFACES	24390T					
	THIRD ANGLE PROJ.						

MTS MTS SYSTEMS CORPORATION EDEN PRAIRIE, MINNESOTA U.S.A. ©